

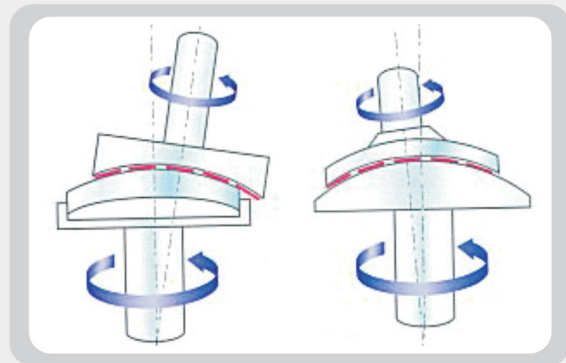
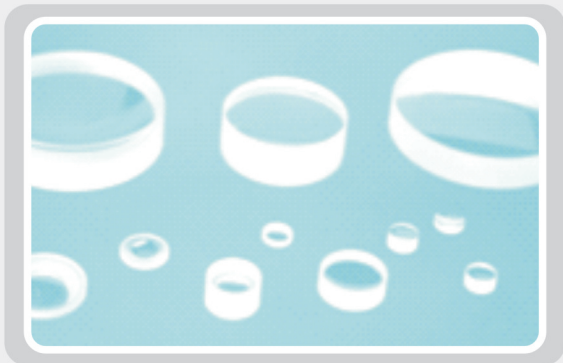


Advanced glass optics



Spherical lens

- **Description** Hanvito-ptoline Co., Ltd. offers spherical lenses are commonly used for laser collimating and Focusing. According to custom design to manufacture of spherical lenses, Such as plano convex, plano concave, bi-convex, bi-concave, meniscus.
- **Features**
 - Low cost & high productivity
 - Low lens surface roughness
 - Low Curvature error
 - Good reliability
- **Applications**
 - Optical communication
 - Laser/Photo Diode
 - Digital Camera / Camera
 - Telescope
 - Microscope etc.



Specification

Parameter	Value
Material	Optical glass, UV/IR fused Silica etc.
Diameter (mm)	ø3.0 ~ ø100 ± 0.015
Decentration (mm)	± 0.010
Wedge (arcmin)	10 under
Surface accuracy	$\lambda / 4$ under
Surface quality	60/40 under
Surface aperyure	90%
RMS Wavefrot error	< 0.06
Coating	Custom specification

HanVitoptoline Co., Ltd.

Creating Values for Customers

970-16, Wolchul-dong, Buk-Gu, Gwangju, Korea(500-460)
 TEL : +82-62-953-1720 FAX : +82-62-953-1719 E-mail : hanvit@go-hanvit.com Homepage : http://www.go-hanvit.com